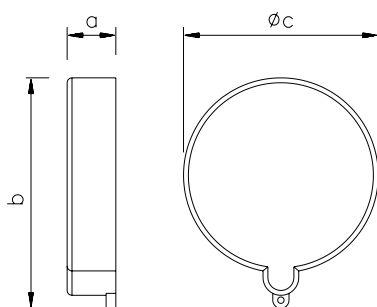


PROTECTIVE COVERS

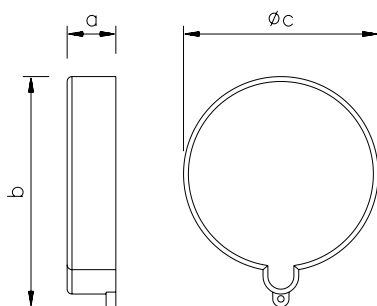


POLES	3	4	5	3	4	5
AMPERE	16			32		

a	15	15	15	15	15	15
b	56	63	71	71	71	79
c	48	54	61	61	61	67
Weight [g/each]	10	12	14	14	14	16
ITEM NO.	VD0163	VD0164	VD0165	VD0323	VD0323	VD0325

DUST CAP 16 AND 32 A

- for all plugs and appliance inlets
- protects contacts from contamination

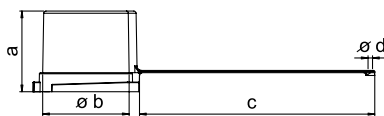


POLES	3	4	5	3	4	5
AMPERE	63			125		

a	21	21	21	21	21	21
b	82	82	82	93	93	93
c	73	73	73	86	86	86
Weight [g/each]	21	21	21	25	25	25
ITEM NO.	VD0633	VD0633	VD0633	VD1253	VD1253	VD1253

DUST CAP 63 AND 125 A

- for all plugs and appliance inlets
- protects contacts from contamination



POLES	3	4	5	3	4	5
AMPERE	63			125		

a	72	72	72	82	82	82
b	78	78	78	91	91	91
c	211	211	211	205	205	205
d	4	4	4	5	5	5
Weight [g/each]	75	75	75	98	98	98
ITEM NO.	WS0633	WS0633	WS0633	WS1253	WS1253	WS1253

WATER PROTECTION CAP 63 AND 125 A

watertight IP67

- for all 63 and 125 A plugs and appliance inlets