

DIN-RAIL PANEL PRODUCTS

Load shedding relays



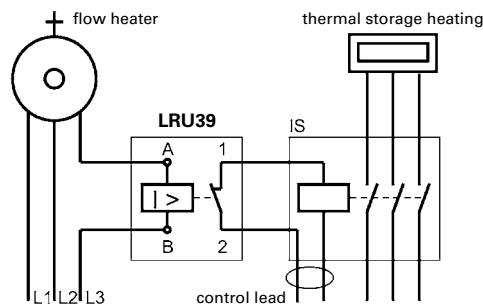
LOAD SHEDDING RELAYS

sealable
for electronically and pneumatically
regulated flow heaters

1 M

	ITEM NO.	WEIGHT g / EACH	PACKING UNIT
6,7-39 A	LRU39	90	12

6,7-39 A	LRU39	90	12
----------	-------	----	----



Load shedding relays			
Technical data / type	LRU39 for electronic and pneumatic flow heaters		
Field coil			
Rated current area AC	6.7 ... 39 A	Response current AC	< 5.3 A
Rated power for 230 V AC	1.5 ... 9 KW / 230 V~	Max. continuous current AC	43 A
Rated power for 230 / 400 V AC	4.6 ... 27 KW / 400 V~	Constant thermal load capacity 40°C	2.5 W
Operating / rated power	0.5 ... 4 VA	Connection terminal single wire	2.5 mm ² – 16 mm ²
		Connection terminal multiple wire	2.5 mm ² – 16 mm ²
Relay contact			
Contact	1 NC	Max. electrical switching frequency / h	approx. 1,800 switching cycles / h
Rated contact current for 250 V AC	1 A	Max. ambient temperature	40°C
Contact material	Hard silver gold-flashed	Response time / release time	10... 20 ms / 20 ... 30 ms
Max. switching voltage AC	400 V	Volume resistance	approx. 3 mΩ
Max. switching capacity	250 VA	Test voltage contact / coil AC	2.5 KV
Max. switch-on peak current	5 A	Isolation group acc. to VDE 0110	C / 250 V
Electric endurance with rated load	>100,000 switching cycles	Protection type housing	IP40
Mechanical endurance	approx. 1 million switching cycles	Connection terminal single wire	0.75 mm ² – 4 mm ²
Switch-on duration	100%	Connection terminal multiple wire	0.75 mm ² – 4 mm ²